

# AQG CLICKASSIST

## For AseptiQuik® G Sterile Connectors

**AQG ClickAssist** enhances the bio-manufacturing process by enabling operators to efficiently do more AQG connections in less time.

**IMPORTANT:** The AQG ClickAssist (AQG3000ATL) is not needed for successful AseptiQuik® G connections. The device enables alternative grip position, ability to make connections successfully in tight areas, and provides better ergonomics for installers.

## KEY INFORMATION

### MATERIAL

304SS

### MATERIAL FINISH

Electropolished (16 Ra)

### COLOR

Silver Stainless

### WEIGHT

Approximately 1.1 pounds (0.45 kg)

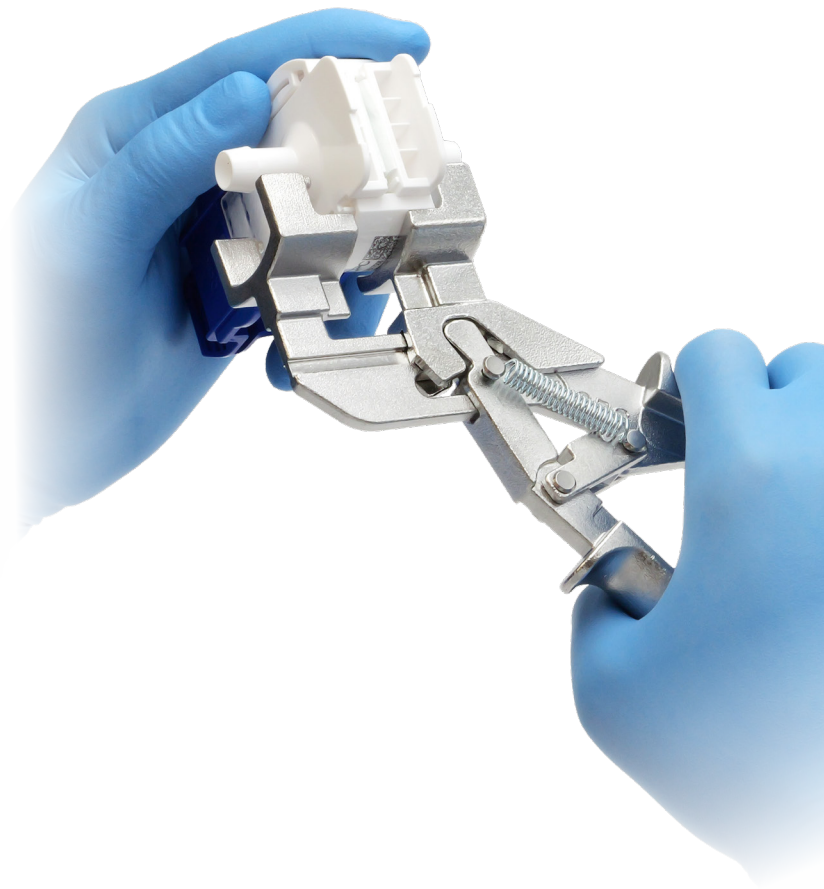
### CLEANING

Not suitable for autoclave due to nylon bushing.

Wipe down clean recommended per internal processes

## FEATURES & BENEFITS

- Robust, easy-to-use
- Spring release allows for easy return without effort
- Tapered grip for accurate hand placement
- Enhances the connection experience and speed at start-up
- This device will help ease connections when outer diameter of tubing might interfere with operators' grip
- Allows for additional operator to reach into tight or hard to reach connection points

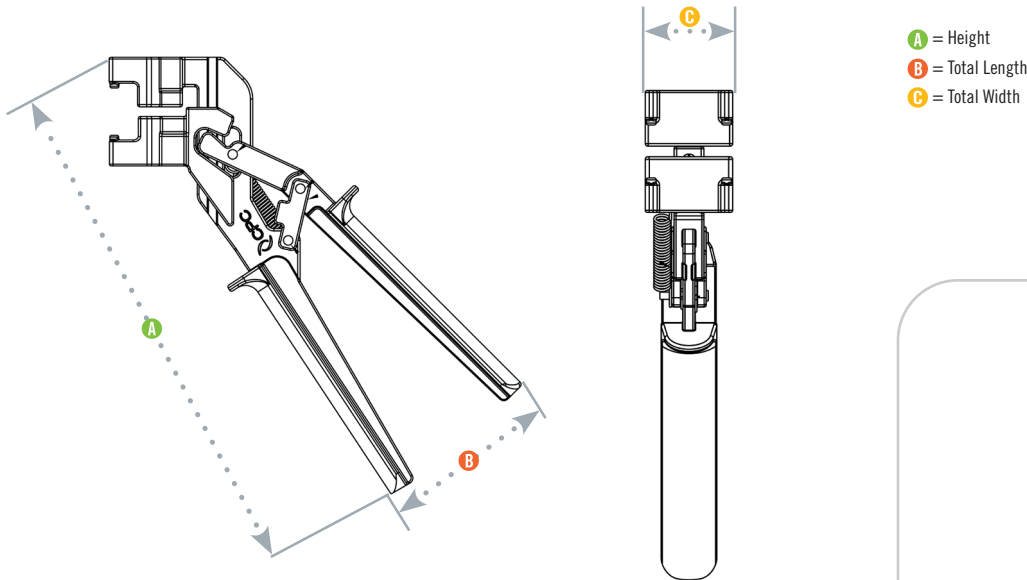


# AQG CLICKASSIST DIMENSIONS



PRODUCT	PART NO.	A	B	C
AQG CLICKASSIST	AQG3000ATL	9.04" (229.6 mm)	4.12" (104.6 mm)	1.34" (34.0 mm)

## PRODUCT DIMENSIONS



Scan code to watch assembly video



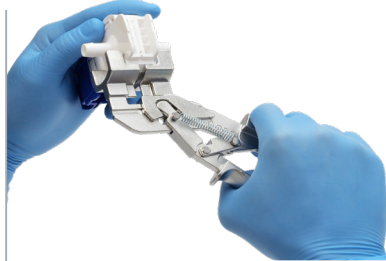
## INSTRUCTIONS FOR USE

### 1 GRIP



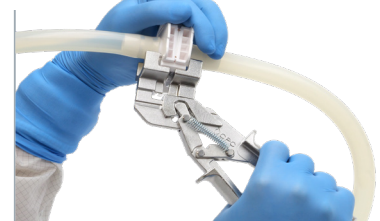
Grip the ClickAssist tool as shown

### 2 ALIGN



Align the ClickAssist tool over the arc on the AQG body part number and data code

### 3 CLICK



Click the first side of the AQG connector together. Repeat steps 2 and 3 on the other side of the connector. Visually confirm AQG connection has been completed on both sides.

WARRANTY: All sales are subject to Colder Products Company's limited express warranty set forth in the CPC catalog. Contact your local distributor or CPC Customer Service for warranty provisions.

Warning: Due to the wide variety of possible fluid media and operating conditions, unintended consequences may result from the use of this product, all of which are beyond the control of CPC. It is the user's responsibility to carefully determine and test for compatibility for use with their application. All such risks shall be assumed by the buyer.

COPYRIGHT © 2024 BY COLDER PRODUCTS COMPANY.

CPC, Colder Products Company, and Colder Products are registered trademarks with the United States Patent and Trademark Office.

For detailed trademark information, please visit: <https://www.cpcworldwide.com/Trademarks>