

# ASEPTIQUIK® C SERIES CONNECTORS

**AseptiQuik® C Connectors** provide quick and easy sterile connections, even in non-sterile environments. AseptiQuik® C connectors' "CLICK-PULL-TWIST" design enables users to transfer media easily with less risk of operator error. The connectors' robust design provides reliable performance without the need for clamps, fixtures or tube welders. Biopharmaceutical manufacturers can make sterile connections with the quality and market availability they expect from the leader in single-use connection.

## SPECIFICATIONS

### PRESSURE

Up to 60 psi, 4.1 bar

### OPERATING TEMPERATURE

39°F to 104°F (4°C to 40°C)

### STERILIZATION

Standard (blue) version:

**Gamma:** Up to 50 kGy irradiation

High Temperature (white) version:

**Gamma:** Up to 50 kGy irradiation

**Autoclave:** One cycle up to 266°F (130°C) for 30 minutes

### TERMINATIONS

3/8 (9.5mm)" and 1/2" (12.7mm) ID hose barb, and 3/4" sanitary 1-1/2" sanitary

### MATERIALS

#### Main Components:

Polycarbonate (white)

#### Lock Ring:

Polycarbonate (blue)

#### Pull Tabs:

Polycarbonate (blue, standard version)

Polycarbonate (white, HT version)

#### Caps:

Polypropylene (clear)

#### Seals:

Silicone (clear), platinum-cured

#### Membrane:

Polyethylene (standard version)

Hydrophobic polyethersulfone (HT version),

PTFE strip sticker

**WARNING:** Pressure, temperature, chemicals, and operating environment can affect the performance of couplings. It is the customer's responsibility to test the suitability of CPC's products in their own application conditions.



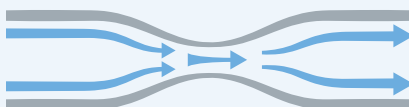
### FEATURES

- CLICK-PULL-TWIST design → Intuitive three-step connection process reduces risk of operator error
- Membrane pull tabs → Ensure simultaneous and secure removal of both membranes
- Robust construction → Repeatable and reliable performance with no additional hardware required
- Integrated lock ring → Secures final connection preventing disassembly
- CPC Click → Audible confirmation of completed assembly steps

### BENEFITS

### TYPICAL FLOW RATE:

**Cv Value Range: 4-14.4**



*Cv values represent the approximate expected flow rate in gallons per minute of water at room temperature for a 1 PSI pressure drop. The flow is generally constrained by the smallest diameter, which in some cases will be the termination diameter and not the Nominal Flow Path.*

## DID YOU KNOW

Did you know that the AseptiQuik G Series Connectors also have 3/8", 1/2", and 3/4" sanitary connections?

Scan code to visit webpage



SCAN

cpcworldwide.com/AseptiQuik-C



#### COLDER PRODUCTS COMPANY

U.S.A.

PHONE: +1 (651) 645-0091

FAX: +1 (651) 645-5404

TOLL FREE: +1 (800) 519-7633

E-MAIL: info@cpcworldwide.com

#### COLDER PRODUCTS COMPANY GMBH

Germany

E-MAIL: cpcgmbh@cpcworldwide.com

#### DOVER (SHANGHAI) INDUSTRIAL CO., LTD

ShangHai, China

PHONE: +86 21 2411 2666

TOLL FREE: +86 400 990 1978

E-MAIL: asiapacific@cpcworldwide.com

# ASEPTIQUIK® C SERIES DIMENSIONS

## COUPLING BODY Polycarbonate - with Blue Pull Tabs



TERMINATION	METRIC EQ.	PART NO.	A	B	C
3/8" HOSE BARB	9.5 mm	AQC17006	2.36" (59.9mm)	2.74" (69.6mm)	0.65" (16.5mm)
1/2" HOSE BARB	12.7 mm	AQC17008	2.36" (59.9mm)	2.95" (74.9mm)	0.89" (22.6mm)
3/4" SANITARY	19.1 mm	AQC33012	2.36" (59.9mm)	2.73" (69.3mm)	0.70" (17.8mm)

## COUPLING BODY Polycarbonate - HT with White Pull Tabs



TERMINATION	METRIC EQ.	PART NO.	A	B	C
3/8" HOSE BARB	9.5 mm	AQC17006HT	2.36" (59.9mm)	2.74" (69.6mm)	0.65" (16.5mm)
1/2" HOSE BARB	12.7 mm	AQC17008HT	2.36" (59.9mm)	2.95" (74.9mm)	0.89" (22.6mm)
3/4" SANITARY	19.1 mm	AQC33012HT	2.36" (59.9mm)	2.73" (69.3mm)	0.70" (17.8mm)

## COUPLING INSERT Polycarbonate - with Blue Pull Tabs



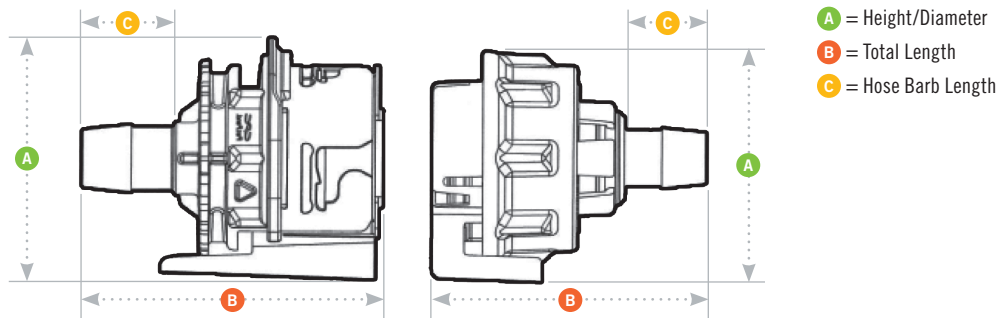
TERMINATION	METRIC EQ.	PART NO.	A	B	C
3/8" HOSE BARB	9.5 mm	AQC22006	2.50" (63.5mm)	2.90" (73.7mm)	0.65" (16.5mm)
1/2" HOSE BARB	12.7 mm	AQC22008	2.50" (63.5mm)	2.99" (75.9mm)	0.89" (22.6mm)
3/4" SANITARY	19.1 mm	AQC44012	2.50" (63.5mm)	2.80" (71.1mm)	0.70" (17.8mm)

## COUPLING INSERT Polycarbonate - HT with White Pull Tabs



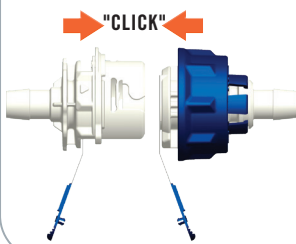
TERMINATION	METRIC EQ.	PART NO.	A	B	C
3/8" HOSE BARB	9.5 mm	AQC22006HT	2.50" (63.5mm)	2.90" (73.7mm)	0.65" (16.5mm)
1/2" HOSE BARB	12.7 mm	AQC22008HT	2.50" (63.5mm)	2.99" (75.9mm)	0.89" (22.6mm)
3/4" SANITARY	19.1 mm	AQC44012HT	2.50" (63.5mm)	2.80" (71.1mm)	0.70" (17.8mm)

## PRODUCT DIMENSIONS



## AQC ASSEMBLY PROCEDURE

### STEP 1



Align male and female connectors using the START alignment feature of the blue lock ring with the rib indicator of the white body. Insert the two halves together.

### STEP 1



Align male and female connectors using the START alignment feature of the blue lock ring with the rib indicator of the white body. Insert the two halves together.

### STEP 1



Align male and female connectors using the START alignment feature of the blue lock ring with the rib indicator of the white body. Insert the two halves together.

WARRANTY: All sales are subject to Colder Products Company's limited express warranty set forth in the CPC catalog. Contact your local distributor or CPC Customer Service for warranty provisions.

Warning: Due to the wide variety of possible fluid media and operating conditions, unintended consequences may result from the use of this product, all of which are beyond the control of CPC. It is the user's responsibility to carefully determine and test for compatibility for use with their application. All such risks shall be assumed by the buyer.

COPYRIGHT © 2022 BY COLDER PRODUCTS COMPANY

COLDER PRODUCTS COMPANY, COLDER PRODUCTS, CPC, ASEPTIQUIK AND MICROCNX ARE REGISTERED TRADEMARKS WITH THE US PATENT & TRADEMARK OFFICE.