

TENTUBE SERIES CONNECTOR

The Tentube™ coupling provides one easy-to-use quick disconnect for up to ten separate fluid lines. The Tentube is available with valves on the body side in panel mount or in-line configurations for maximum design flexibility. The Tentube can connect and disconnect up to ten lines with the use of a simple slide latch. Tubing orientation is ensured by keying the coupling body and insert. Different fluids and tubing sizes can be accommodated by using acetal or polypropylene inserts in three popular sizes.

SPECIFICATIONS

PRESSURE:

Vacuum to 100 psi, 6.9 bar per line

TEMPERATURE:

Acetal fitting inserts:

-40°F to 180°F (-40°C to 82°C)

Polypropylene fitting inserts:

32°F to 180°F (0°C to 82°C)

MATERIALS:

Main components: Nylon

Valves: Acetal

Valve springs: 316 stainless steel

Fitting inserts: Acetal or polypropylene

O-rings: Buna-N with acetal or EPDM with polypropylene

Panel mount adapter: Acetal

Tube shroud: Acetal

COLOR:

Main components:

Black with red locking latch

Tube shroud: Black

Panel mount adapter: Black

TUBING SIZES:

1/16" to 1/8" ID, 1.6mm to 3.2mm ID



cpcworldwide.com/Tentube



CONNECT UP TO 10 TUBES
IN ONE EASY MOTION!

FEATURES

Ten line connection



BENEFITS

Fast, efficient operation

Separate flow paths



Pressure and/or vacuum in one coupling

Insert is keyed to body



Ensures correct line orientation

Acetal or polypropylene inserts

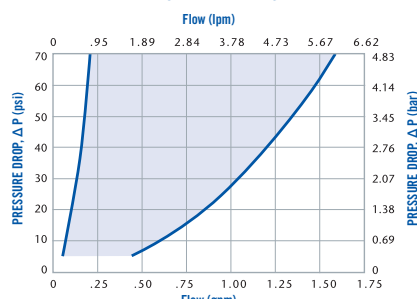


Maximize design flexibility

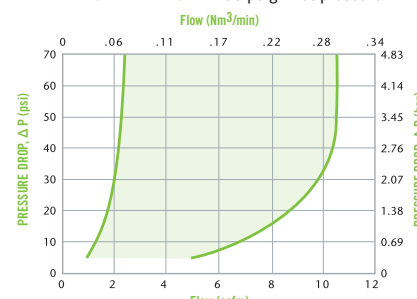
NOTE

Use TMF and TFF inserts and bodies for custom designed assemblies.

TEN TUBE WATER FLOW



TENTUBE AIR FLOW • 100 psig inlet pressure



These graphs are intended to give you a general idea of the performance capabilities of each product line. The shaded area of each graph represents the operating range of the product family, i.e., upper and lower values are shown. Therefore, depending on the exact coupling configurations selected, you can reasonably expect values to fall within the shaded area.



COLDER PRODUCTS COMPANY
U.S.A.
PHONE: +1 (651) 645-0091
FAX: +1 (651) 645-5404
TOLL FREE: +1 (800) 444-2474
E-MAIL: info@cpcworldwide.com

COLDER PRODUCTS COMPANY GMBH
Germany
E-MAIL: cpcgmbh@cpcworldwide.com

DOVER (SHANGHAI) INDUSTRIAL CO., LTD
ShangHai, China
PHONE: +86 21 2411 2666
TOLL FREE: +86 400 990 1978
E-MAIL: asiapacific@cpcworldwide.com

TENTUBE SERIES DIMENSIONS

FITTING BODIES - Acetal/Polypropylene



| TERMINATION | TUBING/THREAD SIZE | METRIC EQ. | ACETAL STRAIGHT THRU | ACETAL SHUTOFF | POLYPROPYLENE STRAIGHT THRU |
|--|-------------------------|------------|----------------------|----------------|-----------------------------|
| COMPLETE COUPLING SET | 1/16" ID | 1.6mm ID | TT1001 | TTD1001 | |
| | – | 3.0mm ID | TT10M3 | TTD10M3 | |
| | 1/8" ID | 3.2mm ID | TT1002 | TTD1002 | TT100212 |
| COUPLING BODY WITH FEMALE FITTING BODIES | 1/16" ID | 1.6mm ID | TFB1001 | TFBD1001 | |
| | – | 3.0mm ID | TFB10M3 | | |
| | 1/8" ID | 3.2mm ID | TFB1002 | TFBD1002 | TFB100212 |
| | Without fitting bodies | | TFB10 | | |
| COUPLING INSERT WITH MALE FITTING INSERTS | 1/16" ID | 1.6mm ID | TMB1001 | | |
| | – | 3.0mm ID | TMB10M3 | | |
| | 1/8" ID | 3.2mm ID | TMB1002 | | TMB100212 |
| | Without fitting inserts | | TMB10 | | |

FITINGS INSERTS - Acetal/Polypropylene



| TERMINATION | TUBING/THREAD SIZE | METRIC EQ. | ACETAL STRAIGHT THRU | ACETAL SHUTOFF | POLYPROPYLENE STRAIGHT THRU |
|---|--------------------|------------|----------------------|----------------|-----------------------------|
| IN-LINE HOSE BARB | 1/16" ID | 1.6mm ID | TMF01 | | TMF0112 |
| | – | 3.0mm ID | TMFM3 | | |
| | 1/8" ID | 3.2mm ID | TMF02 | | TMF0212 |
| IN-LINE HOSE BARB (FEMALE) | 1/16" ID | 1.6mm ID | TFF01 | TFFD01 | TFF0112 |
| | – | 3.0mm ID | TFFM3 | TFFDM3 | |
| | 1/8" ID | 3.2mm ID | TFF02 | TFFD02 | TFF0212 |
| IN-LINE HOSE BARB (FEMALE) (WHITE) | 1/8" ID | 3.2mm ID | TFF02MWHT | TFFD02MWHT | |
| IN-LINE HOSE BARB (WHITE) | 1/8" ID | 3.2mm ID | TMF02MWHT | | |

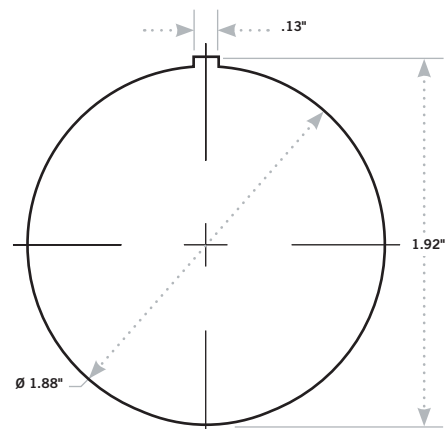
Note: Acetal bodies and inserts are also available in white. To order, add MWHT to the end of the part number.
All measurements are in inches (millimeters) unless otherwise noted. Tubing must meet stated inside and outside diameters. Couplings are pictured with valves unless otherwise noted.

ACCESSORIES

| DESCRIPTION | PART NO. |
|---|----------|
| TUBE SHROUD: SNAPS INTO EITHER HALF | TS10 |
| PANEL MOUNT ADAPTER & NUT: 7/16" MAX. PANEL THICKNESS; REQUIRES 1.875" DIAMETER HOLE | TPM10 |

PANEL DIMENSIONS

| | PANEL OPENING | PANEL THICKNESS MAX.-MIN. |
|------------------------|---------------|---------------------------|
| COUPLING BODIES | see drawing | 0.44–0.06 |



WARRANTY: All sales are subject to Colder Products Company's limited express warranty set forth in the CPC catalog. Contact your local distributor or CPC Customer Service for warranty provisions.

Warning: Due to the wide variety of possible fluid media and operating conditions, unintended consequences may result from the use of this product, all of which are beyond the control of CPC. It is the user's responsibility to carefully determine and test for compatibility for use with their application. All such risks shall be assumed by the buyer.

COPYRIGHT © 2021 BY COLDER PRODUCTS COMPANY. COLDER PRODUCTS COMPANY, COLDER PRODUCTS AND CPC ARE REGISTERED

TRADEMARKS WITH THE US PATENT & TRADEMARK OFFICE