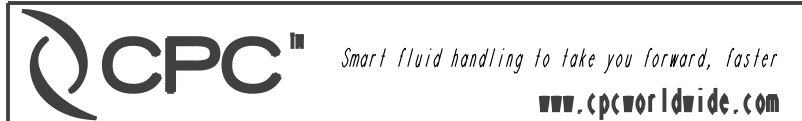
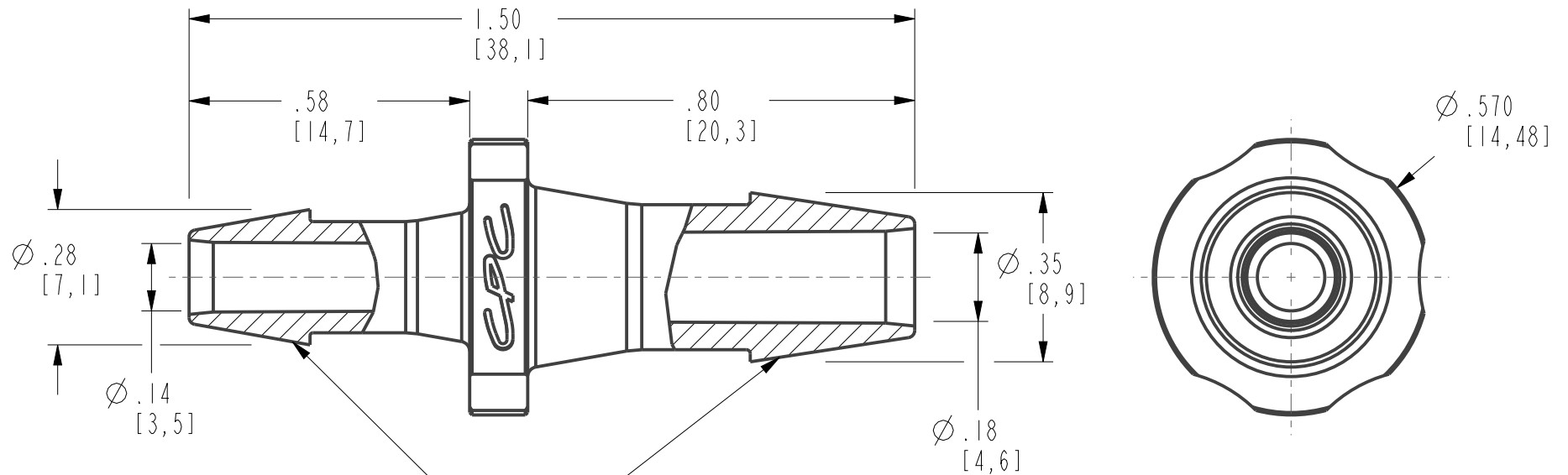


DWG NO: HSR8670

FOR REFERENCE ONLY

NOTES:

MATERIAL: PVDF
USP CLASS VI
ROHS COMPLIANT
FDA 21 CFR 177.2510
ANIMAL FREE
COLOR: NATURAL



PROJECT:	1/4 X 3/16 REDUCER (CUSTOMER DRAWING)	
DWG BY: Naresh	DATE: May-24-21	CHKD BY:
MAT'L: SEE NOTE <input type="checkbox"/>	DWG NO: HSR8670	