

DWG NO: HSR8691

FOR REFERENCE ONLY

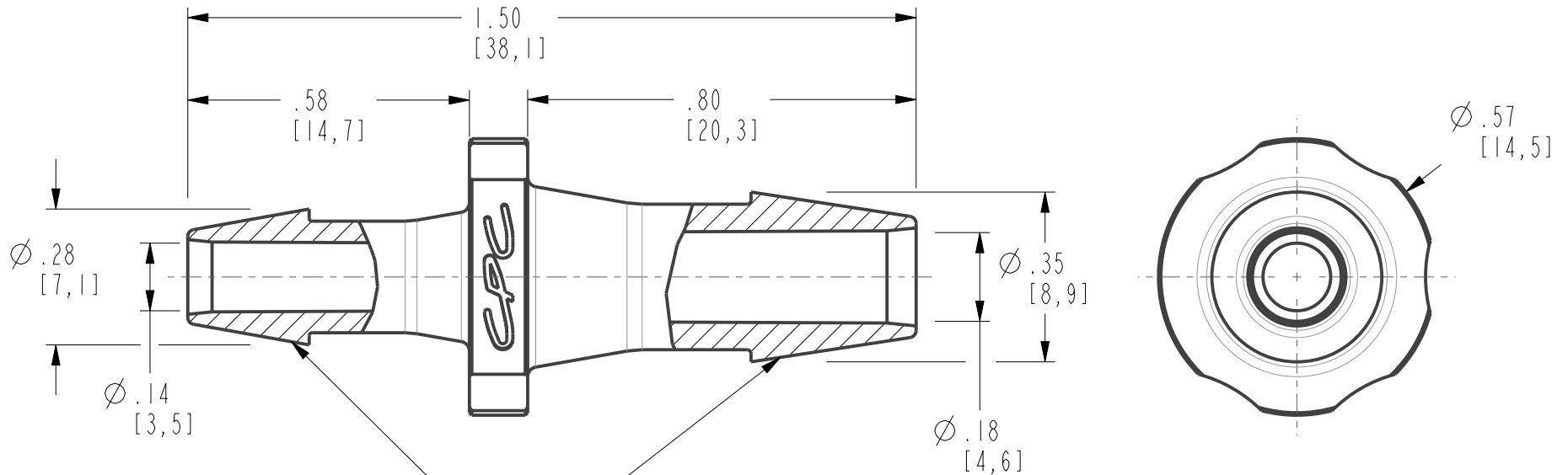
NOTES:


MATERIAL: POLYCARBONATE
USP CLASS VI
RoHS COMPLIANT
FDA 21 CFR 177.1580
ANIMAL FREE

COLOR : PURPLE TINT



SCALE 1:1



 **CPC**[™] *Smart fluid handling to take you forward, faster*
www.cpcworldwide.com

PROJECT: 1/4 X 3/16 REDUCER
(CUSTOMER DRAWING)

DWG BY: Naresh DATE: May-21-21 CHKD BY:

MAT'L: SEE NOTE DWG NO: HSR8691