

DWG NO: LCP30

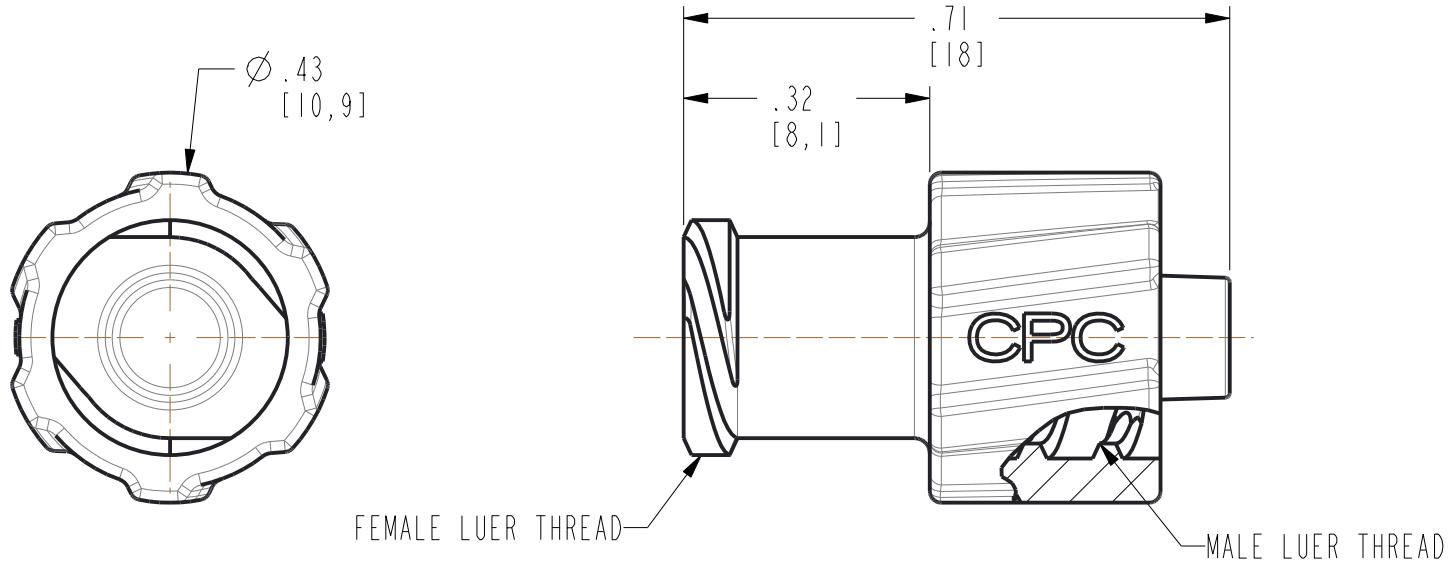
FOR REFERENCE ONLY


NOTES:

MATERIAL: NYLON
FDA 21 CFR 177.1500
RoHS COMPLIANT
COLOR: WHITE



SCALE 2:1



 *Smart fluid handling to take you forward, faster*
www.cpcworldwide.com

PROJECT: CAP PLUG, MALE LUER X FEMALE LUER UNION
(CUSTOMER DRAWING)
N/A

DWG BY: B. MINDT DATE: Jan-30-18 CHKD BY:

MAT'L: SEE NOTE DWG NO: LCP30