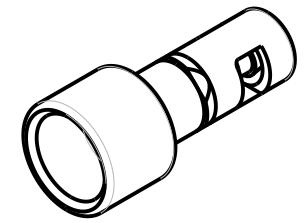


DWG NO: TFF01MWHT

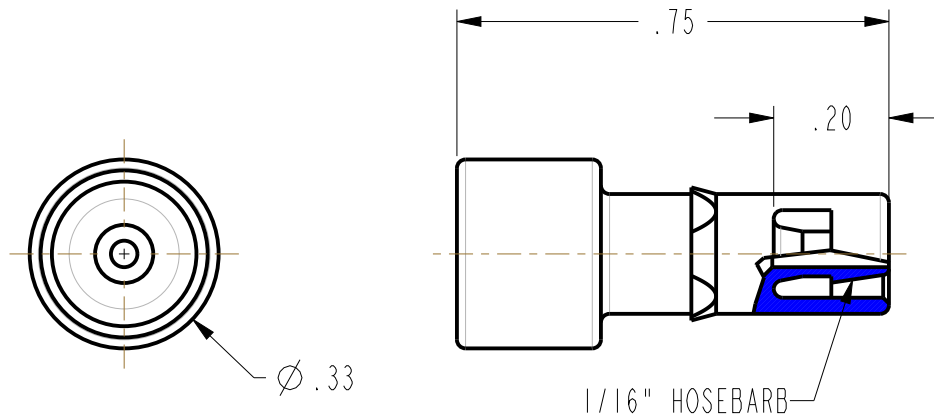
FOR REFERENCE ONLY


NOTES:

MATERIALS:
INSERT: ACETAL



SCALE 2:1



 **CPC**TM *Smart fluid handling to take you forward, faster*
www.cpcworldwide.com

PROJECT: 1/16HB FE NV TT INST
(CUSTOMER DRAWING)

DWG BY: DATE: 06-29-15 CHKD BY:

MAT'L: SEE NOTE DWG NO: TFF01MWHT